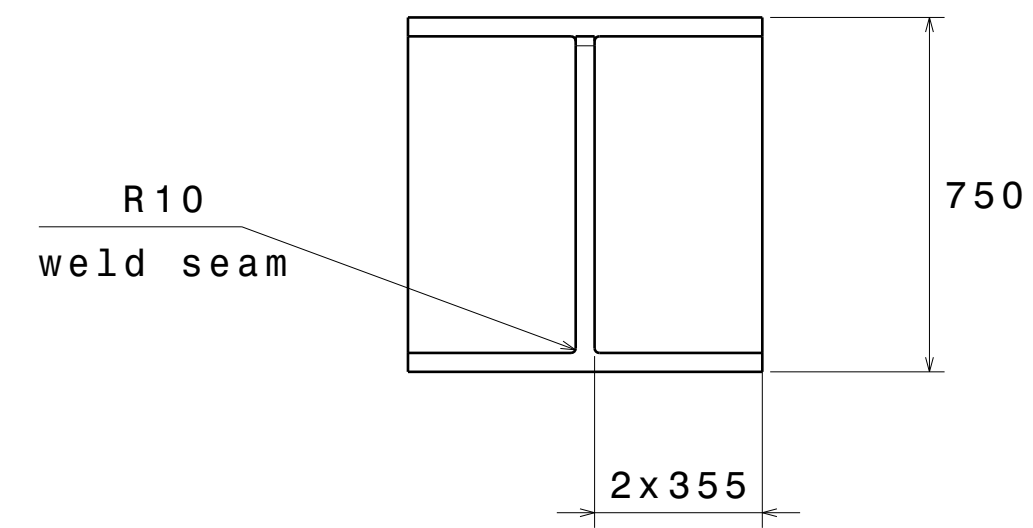
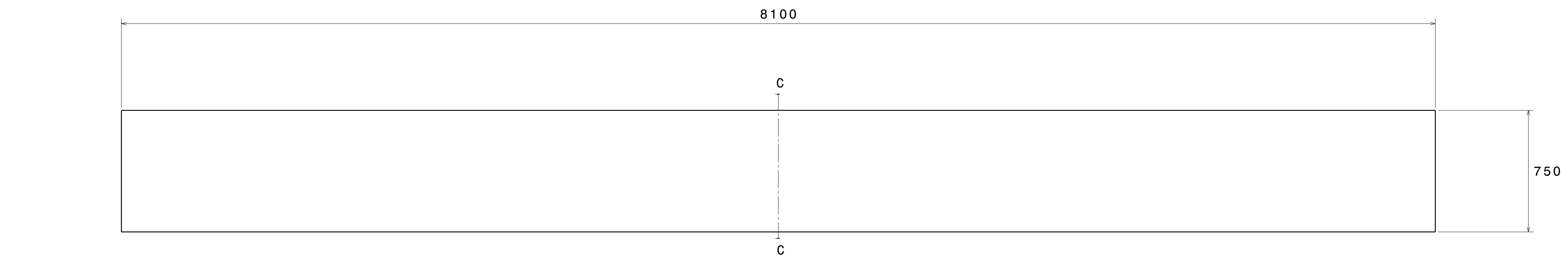
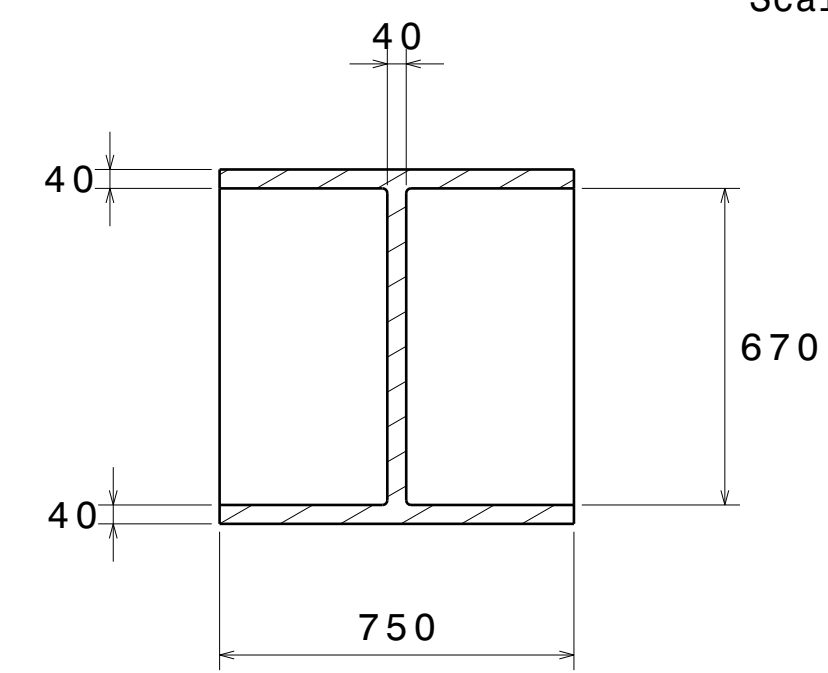


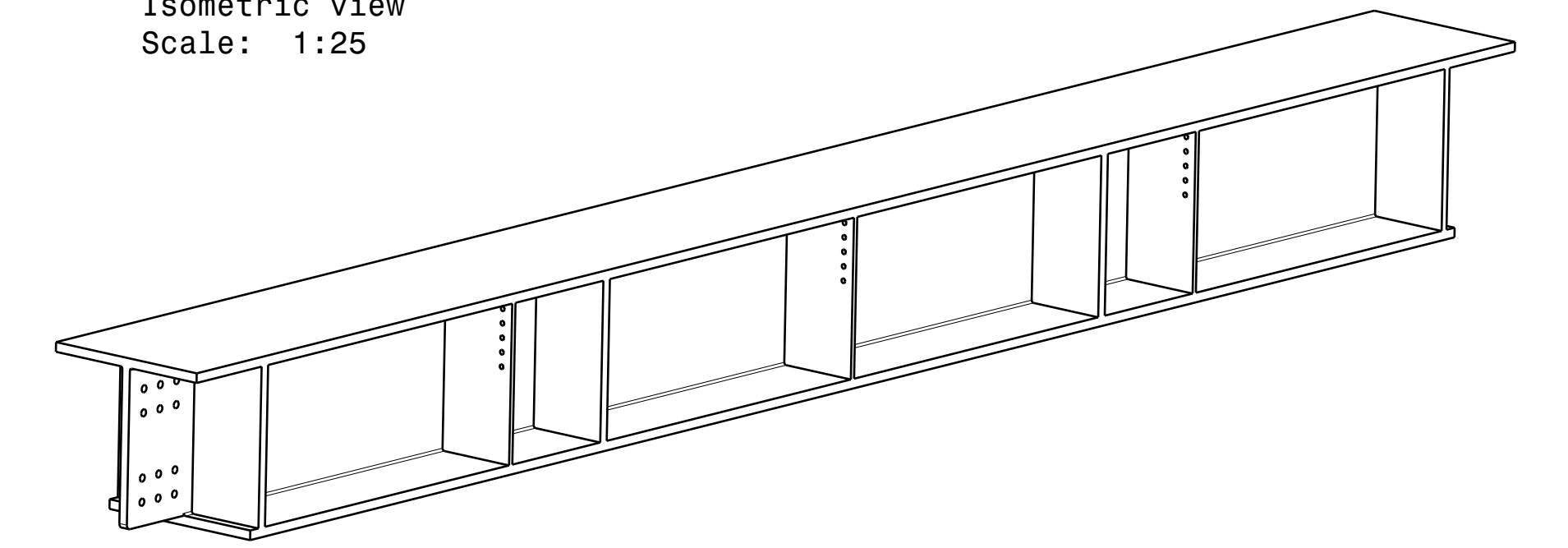
Left/right view
Scale: 1:16



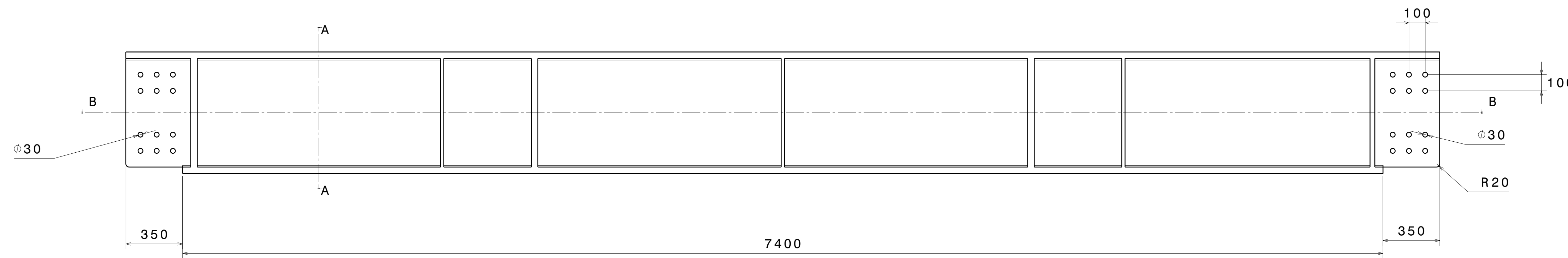
Section view A-A
Scale: 1:16



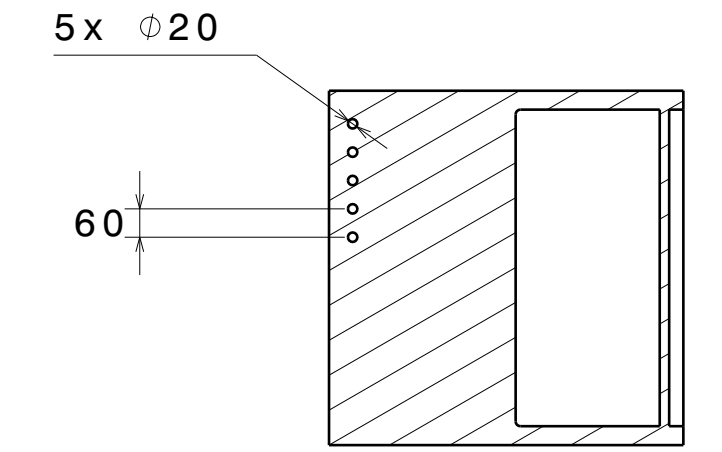
Isometric view
Scale: 1:25



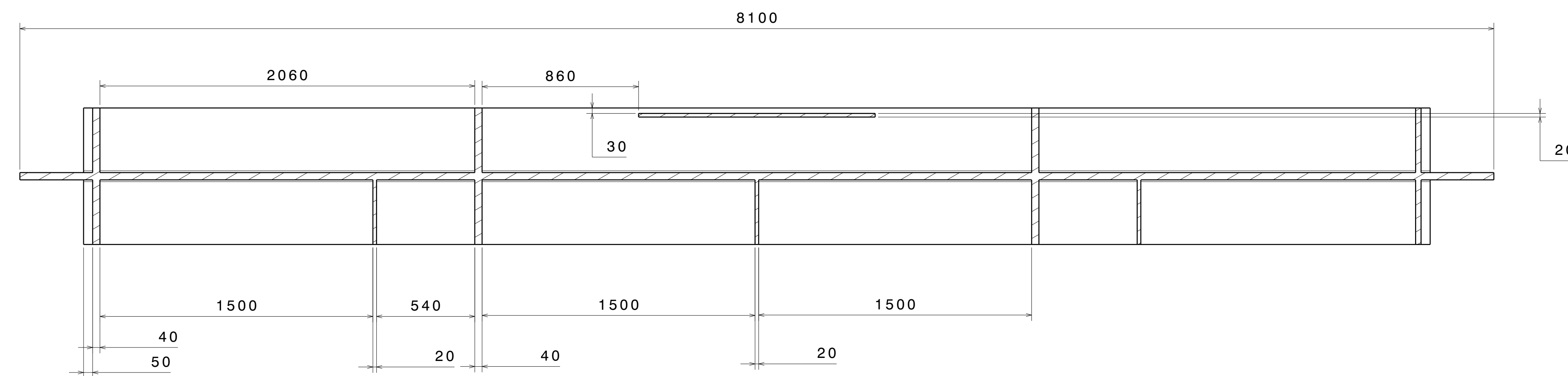
Top view
Scale: 1:16



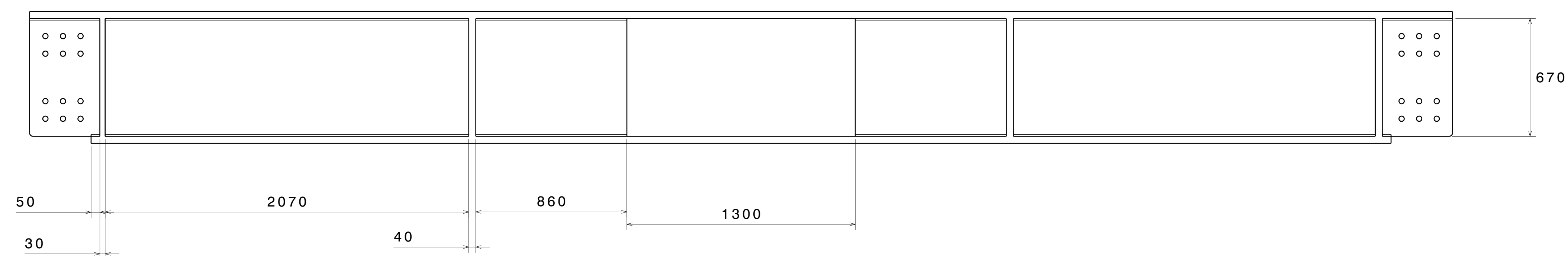
Section view C-C
Scale: 1:16



Front view
Scale: 1:16



Section view B-B
Scale: 1:16



Rear view
Scale: 1:16

All dimensions are in millimetres unless otherwise specified.
Linear tolerance ± 0.15
Angular tolerance $\pm 0.1^\circ$
Material: ASTM-A514 steel
Fireproofing: Intumescent materials with minimum 4 hours rating

DESIGNED BY: Raphael Chryslar	WTC Towers' perimeter horizontal box beam		I	-
DATE: 15/10/2025			H	-
DESIGNED BY: Ngosa Ngosa			G	-
DATE: 26/03/2026			F	-
SCALE: AO	World Technology Center project initiative		E	-
SCALE: 1:16	PROJECT NO: 6,170.07	DRAWING NUMBER: HORZ-01-L	D	-
			C	-
			B	-
			A	-
Drawing property of the World Technology Center project initiative, part of the Chrysler Design Bureau.				1/1