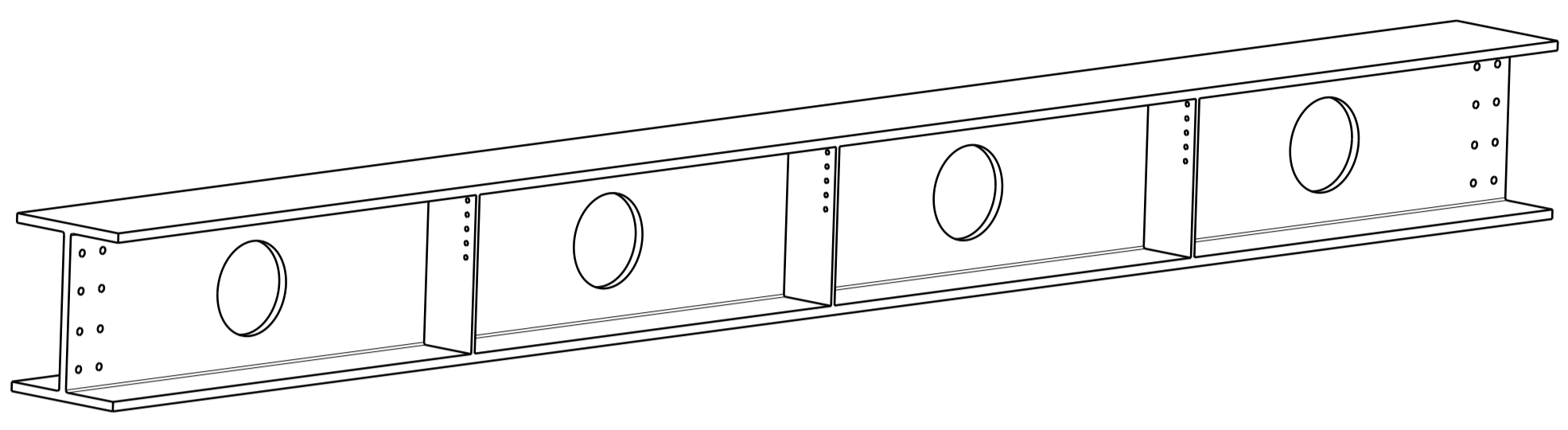
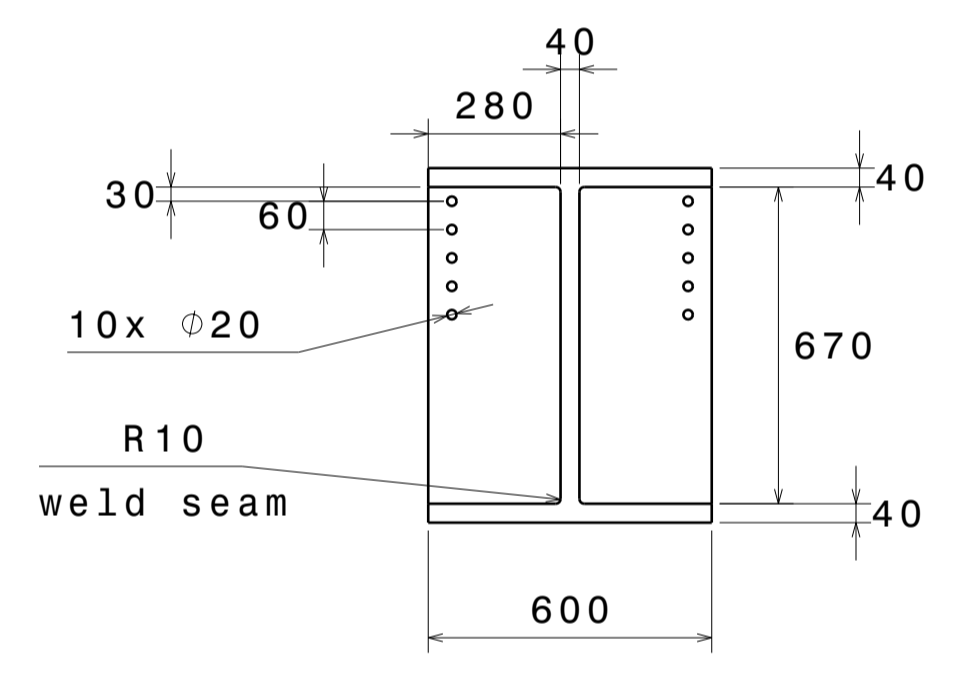


P O N M L K J I H G F E D C B A

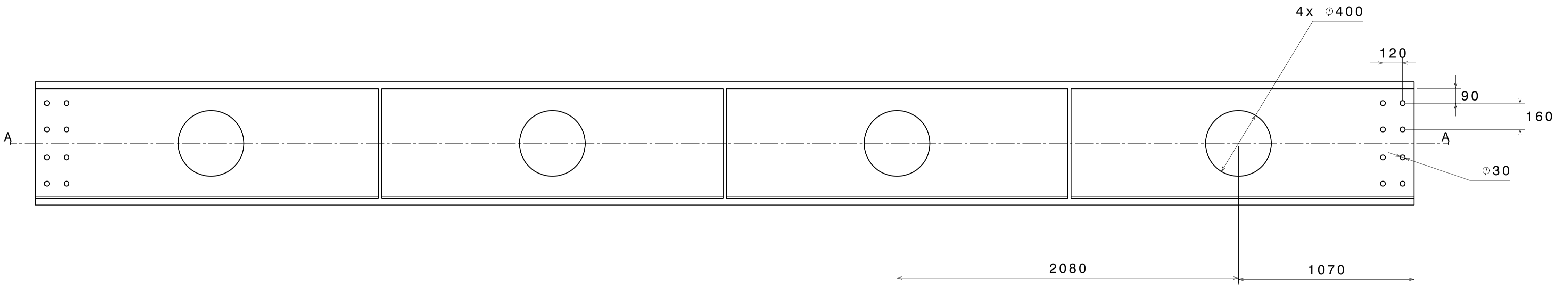
Isometric view
Scale: 1:25



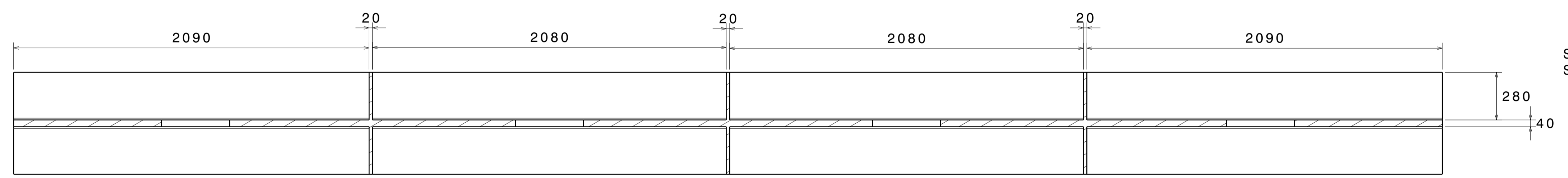
Left/Right view
Scale: 1:16



Front view
Scale: 1:16



Section view A-A
Scale: 1:16



All dimensions are in millimetres unless otherwise specified.
Linear tolerance ± 0.15
Angular tolerance $\pm 0.1^\circ$
Material: ASTM A514 steel
Fireproofing: Intumescent materials with minimum 4 hours rating

DESIGNED BY: Raphael Chryslar	<h2>Floor longitudinal major beam</h2>	I	-
DATE: 04/12/2025		H	-
CHECKED BY: TBD	World Technology Center initiative	G	-
DATE: April 2026		F	-
SIZE: A1	Drawing property of the World Technology Center project initiative, part of the Chrysler Design Bureau	E	-
SCALE: 1:16		D	-
WEIGHT (KG): 4,958.09	DRAWING NUMBER: HORZ-02-L	C	-
		B	-
		A	-

P O N M L K J I H G F E D C B A