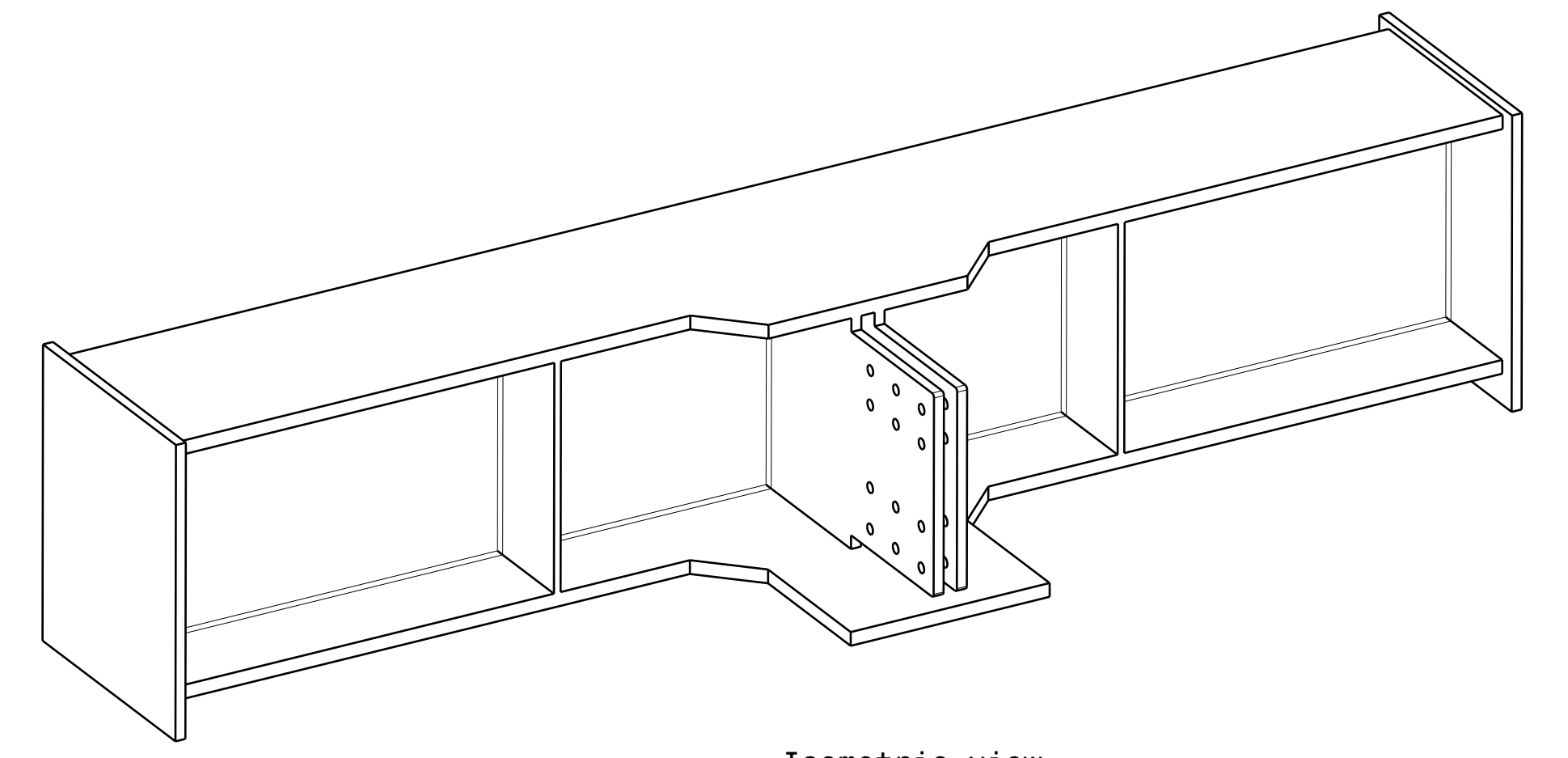
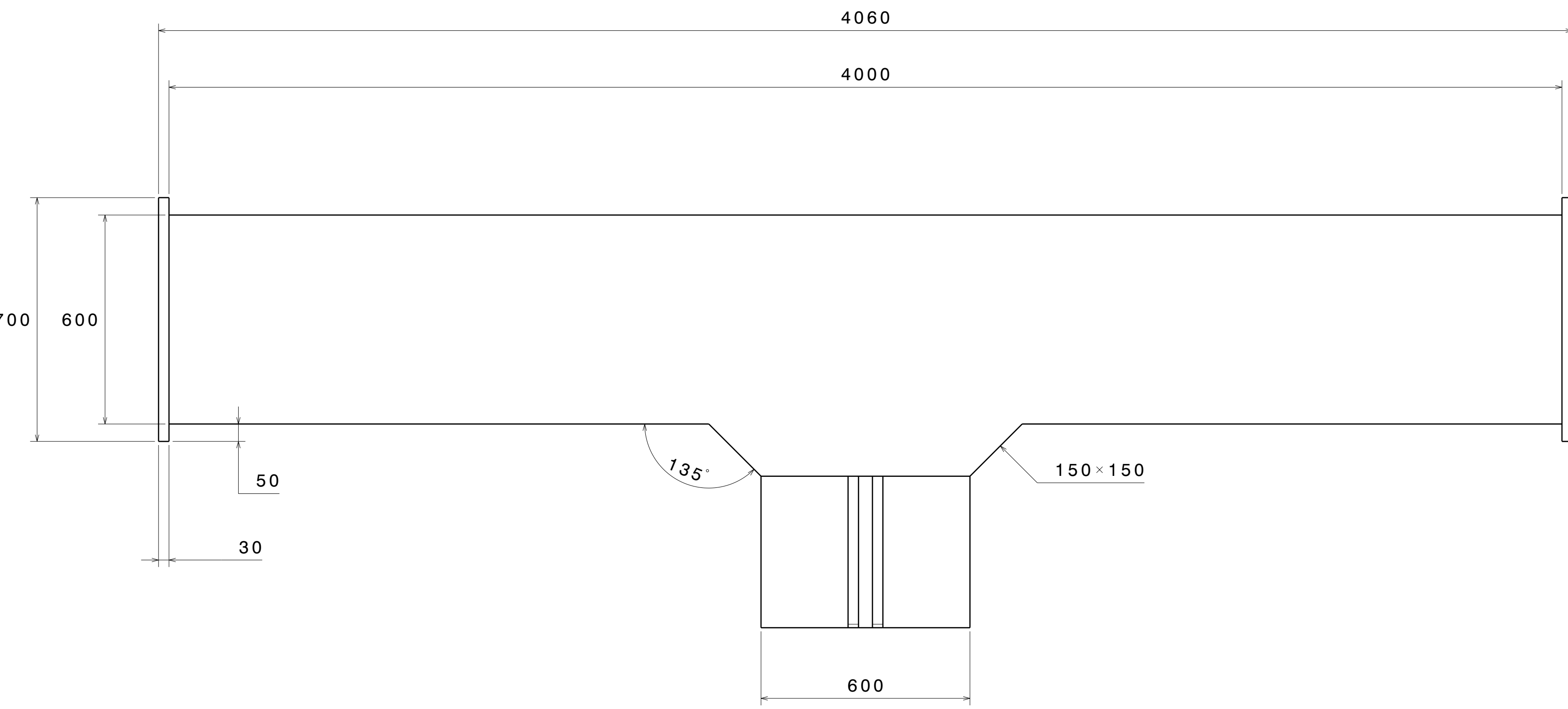


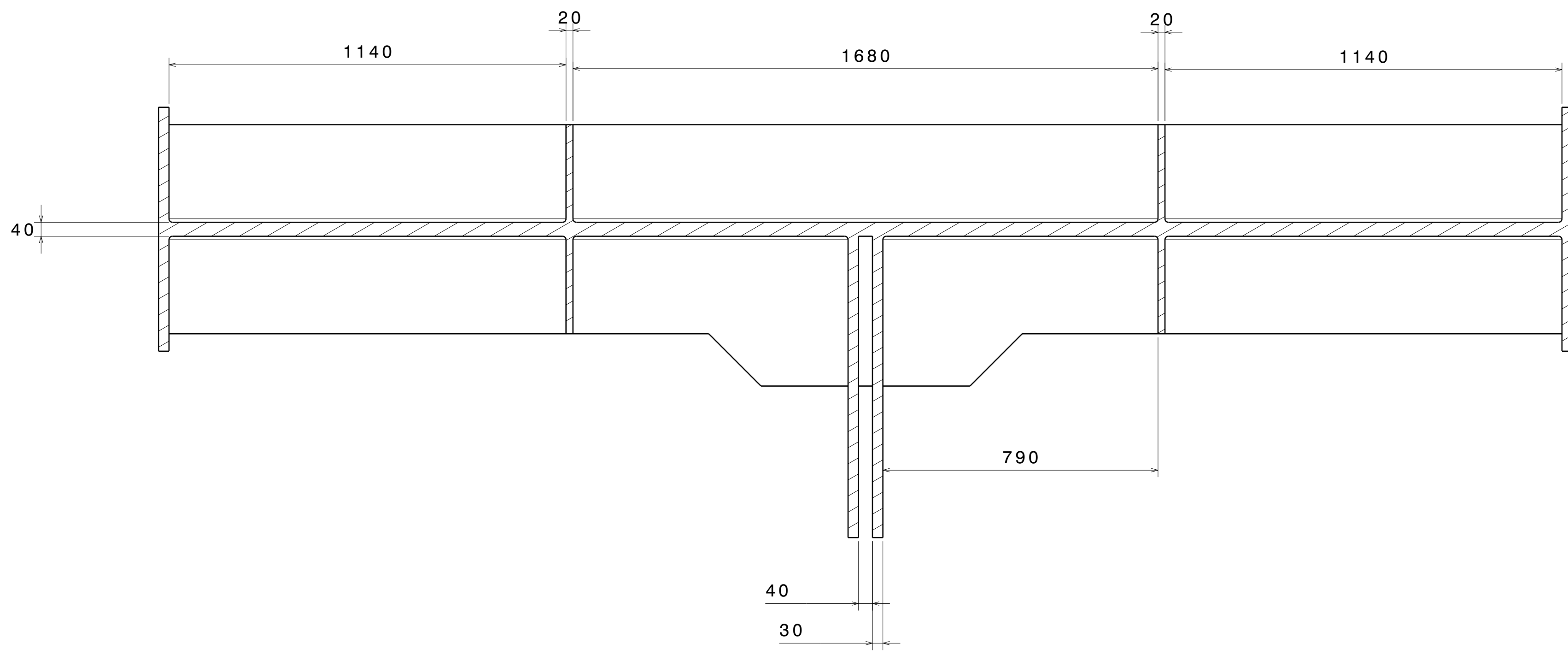
REV	DATE	DESCRIPTION	INIT
A	10/04/2026		



Isometric view
Scale: 1:16

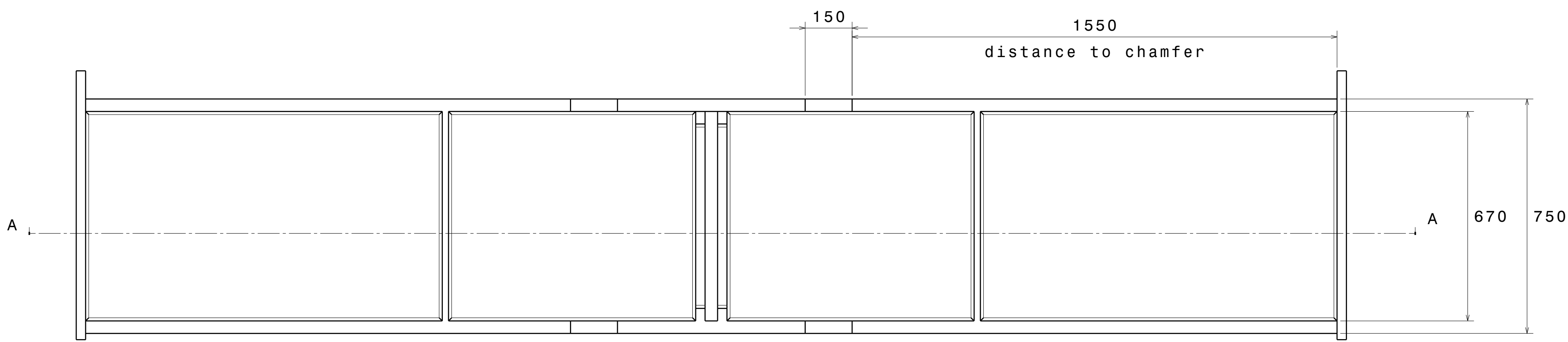


Top view
Scale: 1:10

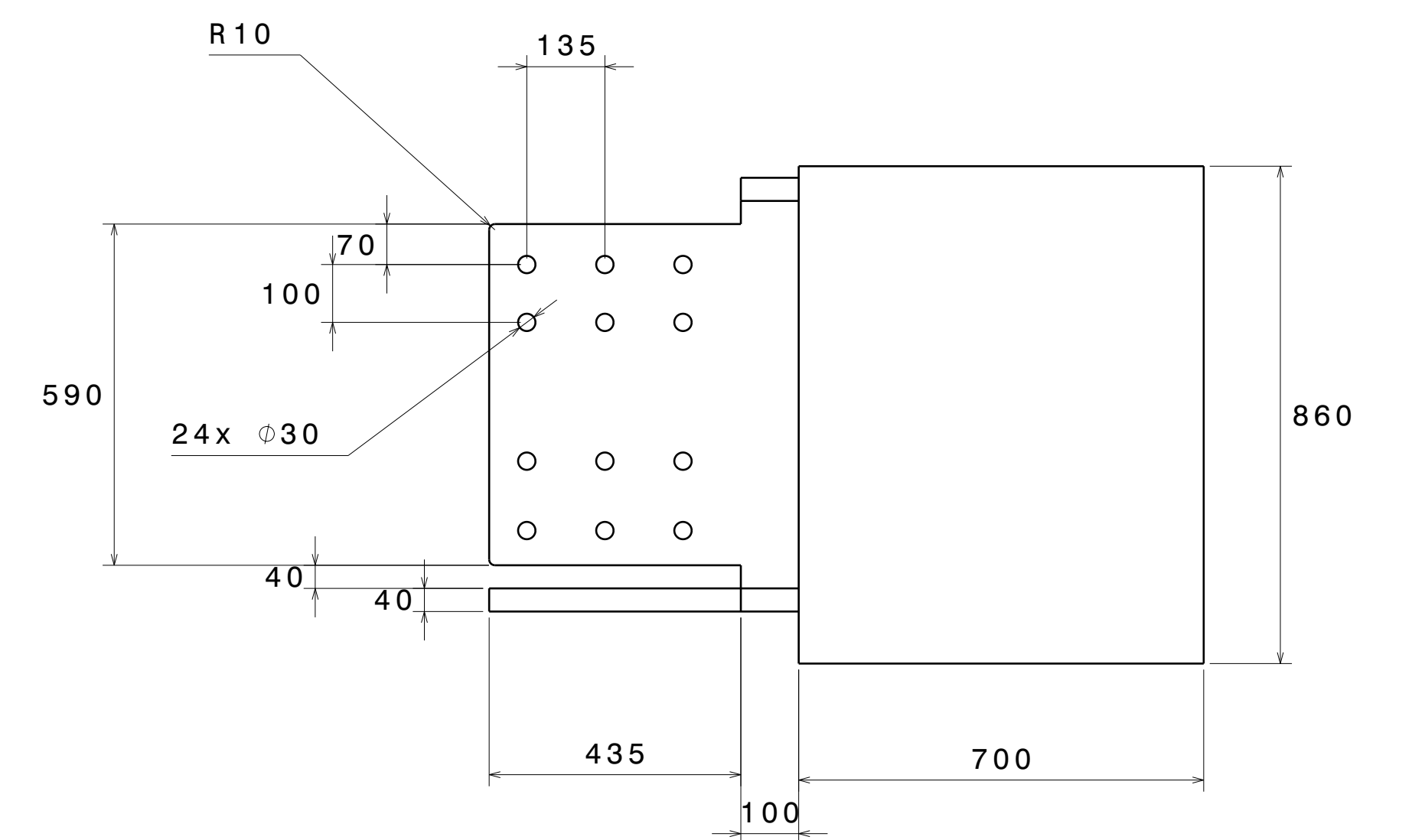


Section view A-A
Scale: 1:10

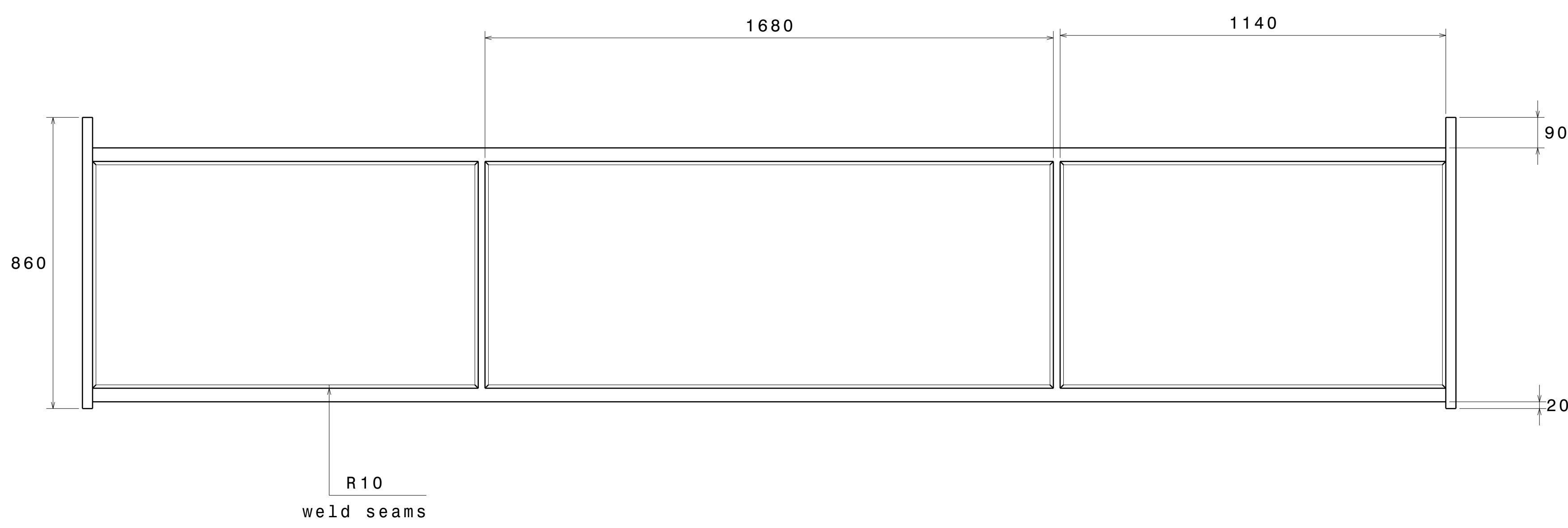
Front view
Scale: 1:10



Rear view
Scale: 1:10



Right view
Scale: 1:10



R10
weld seams

All dimensions are in millimetres unless otherwise specified.
Material: ASTM A992 steel
Angular tolerance $\pm 0.1^\circ$
Linear tolerance ± 0.15
Fireproofing: Intumescent materials with minimum 4 hours rating

DESIGNED BY: Raphael Chrysler	DATE: 27/09/2025	UHPC core polar corridor-floor beam embedded connector assembly	I	-
DRAWN BY: TBD	DATE: TBD		H	-
SIZE: A0	SCALE: 1:10	World Technology Center initiative	G	-
WEIGHT (kg): 3,163.46	DRAWING NUMBER: CORE-P01		F	-
			E	-
			D	-
			C	-
			B	-
			A	-