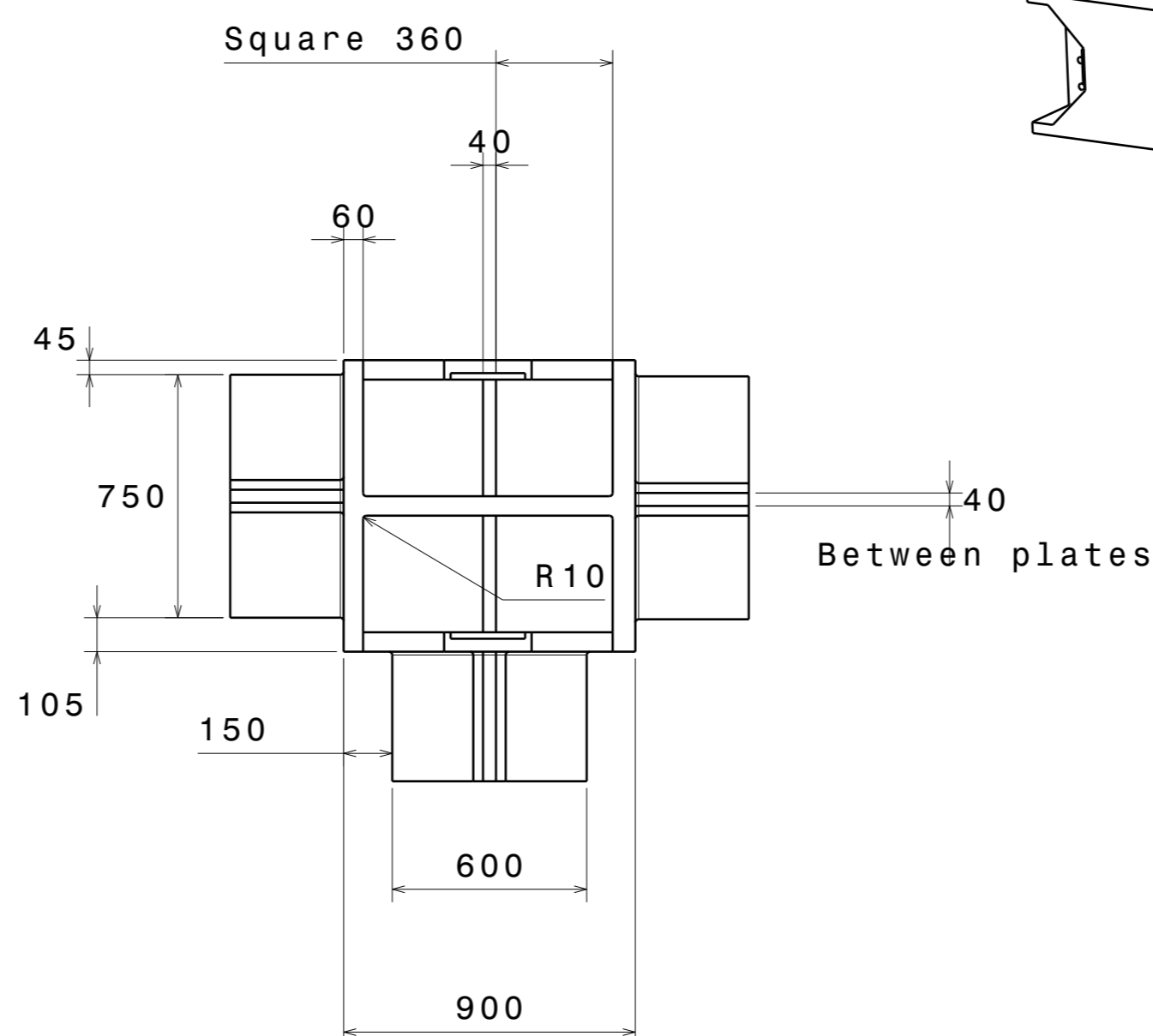
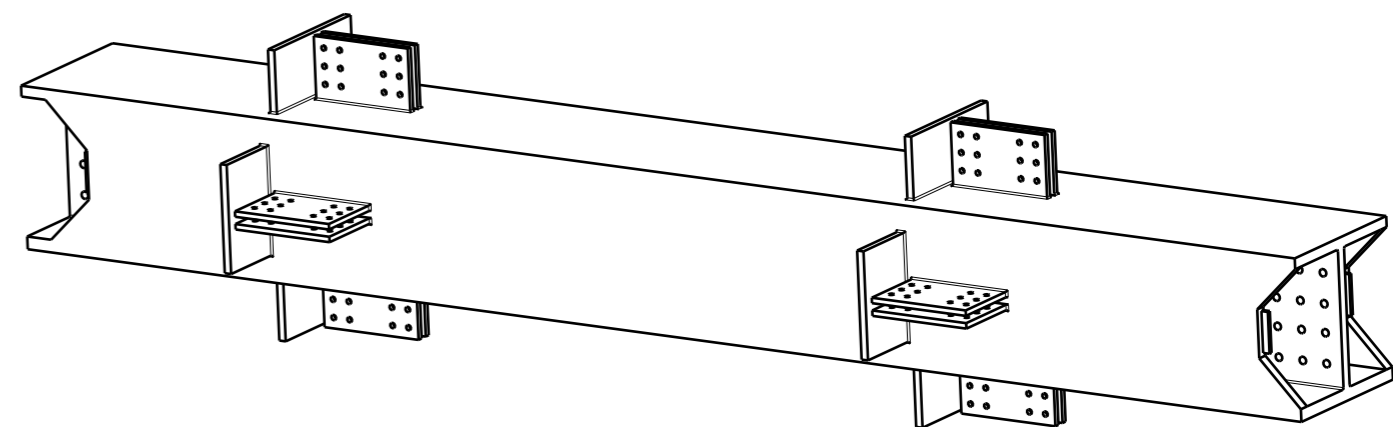


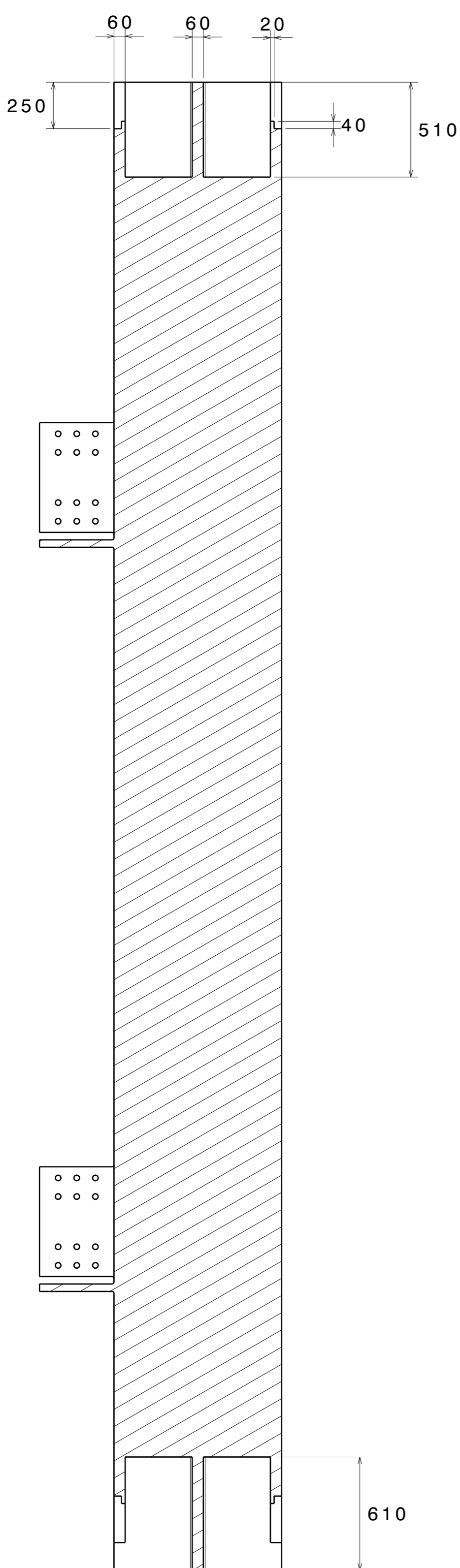
Top view
Scale: 1:20



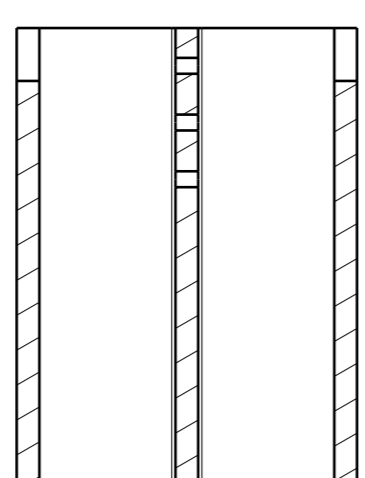
Isometric view



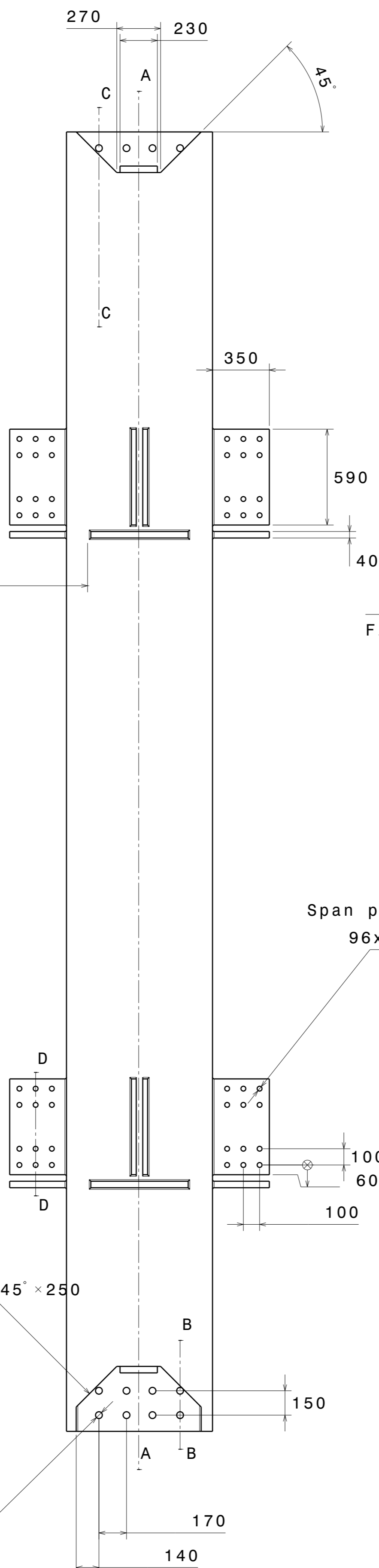
Section view A-A
Scale: 1:20



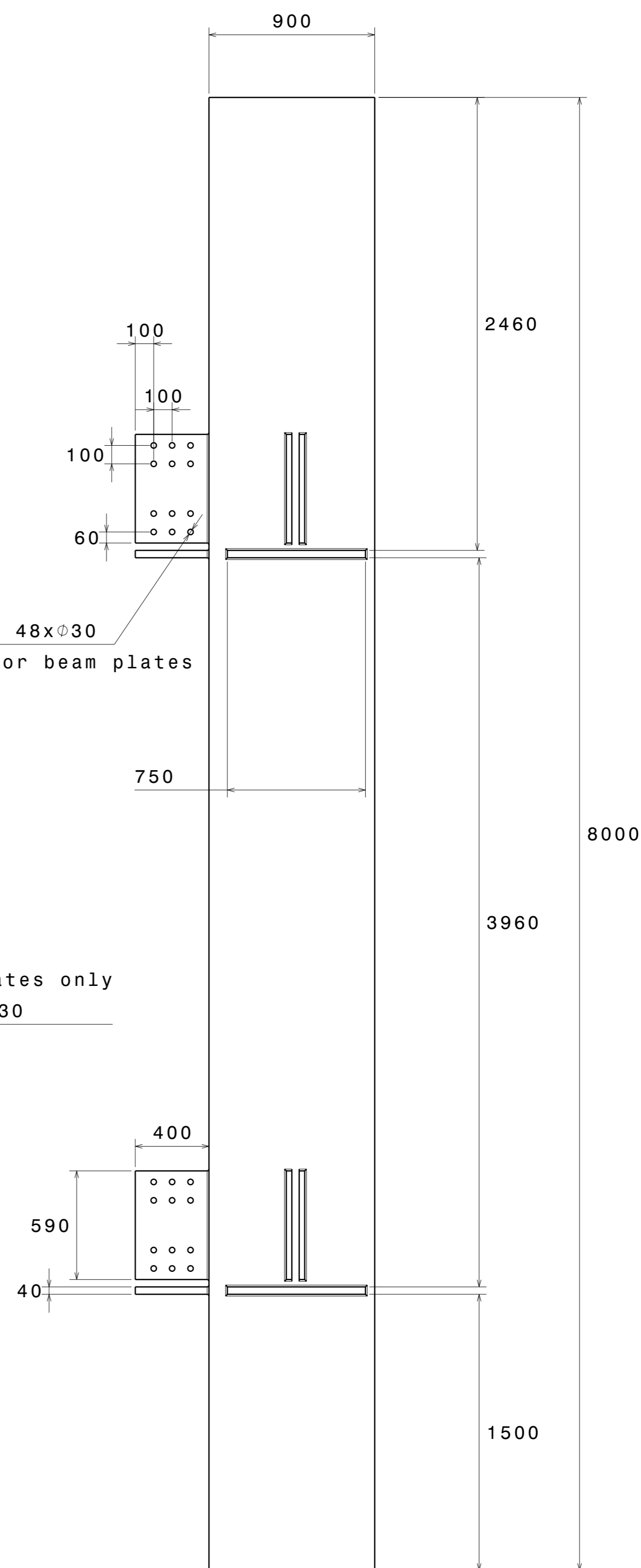
Section view C-C
Scale: 1:20



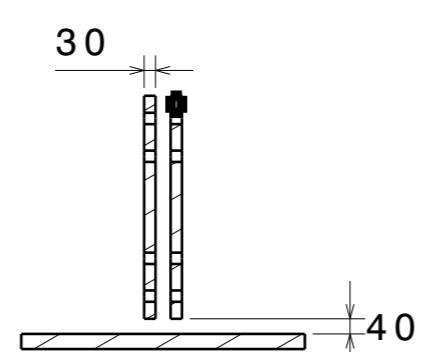
Front view
Scale: 1:20



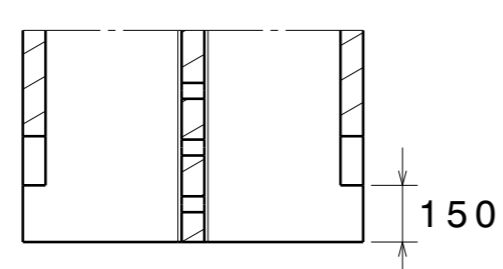
Right view
Scale: 1:20



Section view D-D
Scale: 1:20



Section view B-B
Scale: 1:20



24x42
Vertical attachment holes only

All dimensions are in millimetres unless otherwise specified
Linear tolerance ± 0.15
Angular tolerance $\pm 0.1^\circ$
Material: ASTM A514 steel with UHPC concrete infill during construction

DESIGNED BY: Raphael Chrysler	DATE: 05/10/2025	Towers' vertical steel box-column (concrete filled)	I	-
CHECKED BY: Kenneth Gardner	DATE: 26/03/2026		H	-
SIZE: A1	WEIGHT (kg): 18,342.89		G	-
SCALE: 1:20	DRAWING NUMBER: TOS-001	F	-	
		E	-	
		D	-	
		C	-	
		B	-	
		A	-	