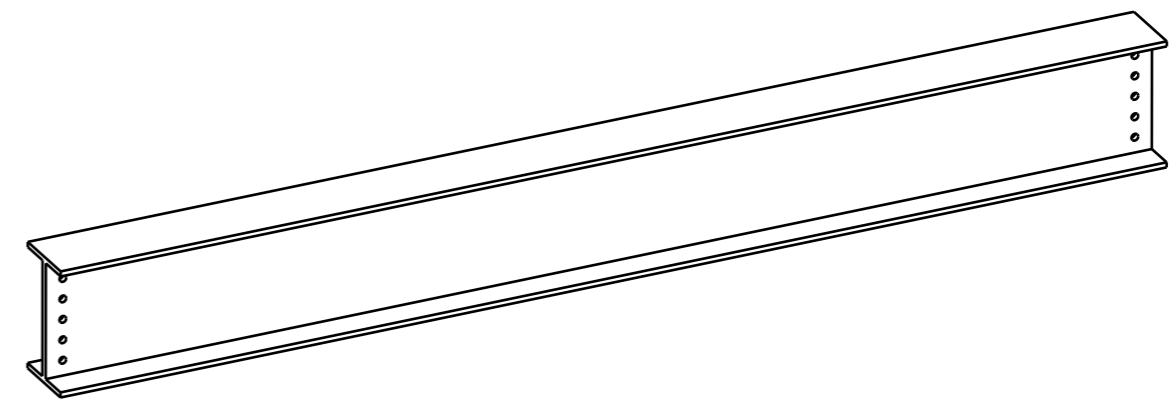
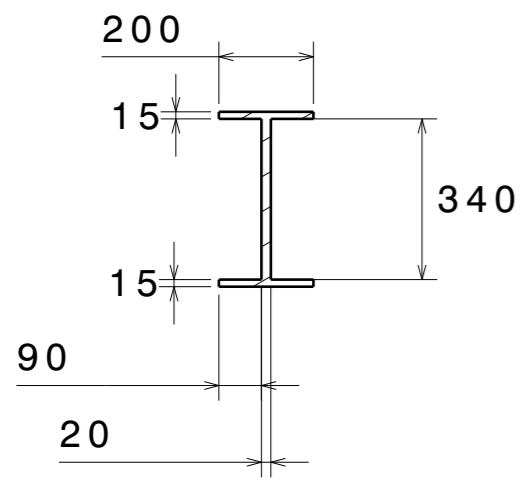


H G F E D C B A

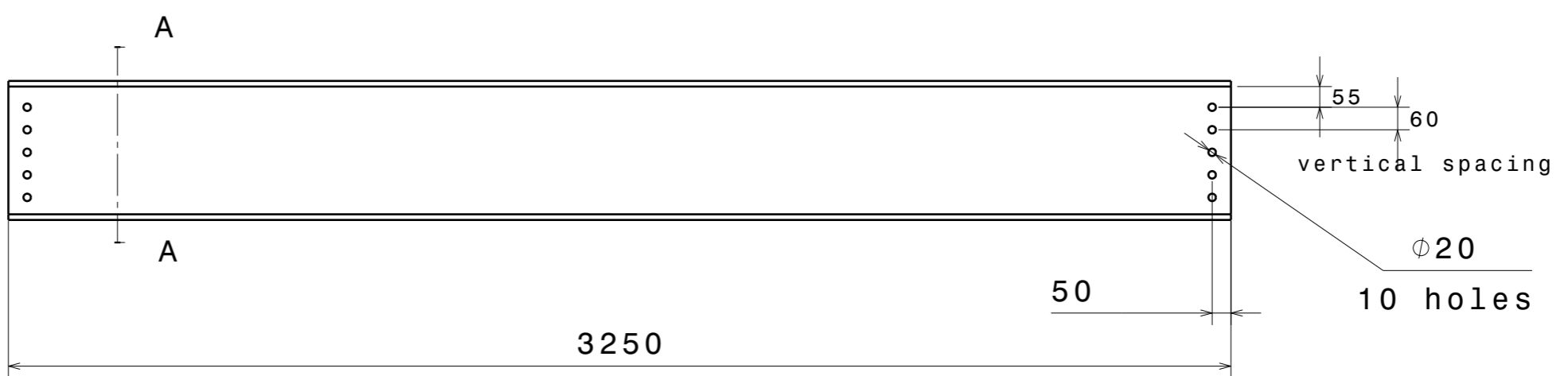
Isometric view  
Scale: 1:20



Section view A-A  
Scale: 1:16



Front view  
Scale: 1:16



All dimensions are in millimetres unless otherwise specified.  
 Angular tolerance  $\pm 0.1^\circ$   
 Linear tolerance  $\pm 0.15$   
 Material: ASTM-A992 steel  
 Fireproofing: Intumescent materials with minimum 4 hours rating

DESIGNED BY: <b>Raphael Chrystlar</b>		<b>Lateral floor beam (type 4)</b>		I	-
DATE: 05/12/2025				H	-
CHECKED BY: TBD		World Technology Center initiative		G	-
DATE: TBD				F	-
SIZE: <b>A3</b>		DRAWING NUMBER <b>HORZ-04-L</b>		E	-
SCALE: <b>1:16</b>	WEIGHT (kg): <b>326.48</b>			D	-
		SHEET <b>1/1</b>		C	-
				B	-
				A	-

rawing property of the World Technology Center project initiative, part of the Chrysler Design Bureau

H G B A